

Diversity Techniques in Wireless Communication

SALONI SHARMA¹, POOJA CHOWDHARY²

^{1,2}Dept. of Electronics & Communication Engineering, Poornima College of Engineering, Jaipur

Abstract -- Presently a-days the prerequisites of remote correspondence are to have high voice quality, high information rates, interactive media highlights, lightweight specialized gadgets and so forth. Be that as it may, the remote correspondence channel experiences much impedance. One of them is blurring which is because of the impact of various proliferation ways, and the fast development of versatile specialized gadgets. In a run of the mill remote correspondence condition, various spread ways frequently exist from a transmitter to a recipient because of diffusing by various items. Flag duplicates following diverse ways can experience distinctive constriction, contortions, postponements and stage shifts. Thus, this is important to lessen the issue of blurring, yet not at the cost of additional power or extra transfer speed. One viable arrangement is proposed for remote framework named assorted variety, without the necessity of energy or additional transmission capacity. This paper talks about the qualities of remote channels and a wide order of different assorted variety strategies.

I. INTRODUCTION

There are two kinds of correspondence frameworks, for example, wired correspondence and remote correspondence. The wired correspondence relatively out of market as well as constrained use because of its different confinements. Remote correspondence is partitioned into versatile interchanges and settled remote communications. Wireless information transmission gives us each chance to get all achievable vital access to the world wherever we are and wherever we require from. The development of remote correspondence is confined because of the impediments of accessible recurrence assets, transfer speed, channel limit, many-sided quality, dependability, transmission information rate, physical territories and correspondence channel amongst transmitter and recipient. The vulnerability or irregularity is the fundamental normal for remote correspondence which shows up in client's transmission channel and client's area. Remote correspondence channels experience the ill effects of different factors however FADING issue is the significant weakness issue which drives the debasement of general framework execution. Blurring

implies the loss of spread experienced by the radio flag on forward and turn around joins. The signs which is gotten by portable terminals originate from a few engendering ways those are called multi-way proliferation. To enhance the execution of those blurring channels, decent variety systems are utilized. In decent variety procedure, correspondence channel is provided with different Transmitting and Receiving radio wires. The flag is transmitted and gotten through different ways.

II. DIVERSITY

Diversity is a capable correspondence beneficiary system that gives remote connection change at a generally minimal effort. Diversity techniques are utilized as a part of remote interchanges frameworks to essentially to enhance execution over a blurring radio channel.

2.1 Types of Diversity:

Small-scale fades are described by profound and fast adequacy variances which happen as the versatile moves over separations of only a couple of wavelengths.

Large scale fading, caused because of shadowing, can be fought utilizing perceptible diversity wherein the separations of thought are of the request of the separations between two base stations.

2.2 Diversity Techniques:

Diversity techniques are powerful when the branches considered are thought to be freely blurred or the envelopes are uncorrelated. There are basically five diversity techniques for all intents and purposes utilized:

1. Multipath/frequency diversity
2. Temporal/time diversity

3. Spatial/space diversity
4. Polarization diversity
5. Angle diversity
6. Antenna diversity

2.1.1 Frequency / Multipath diversity:

The diversity can be accomplished by balancing data motion through L diverse transporter frequencies (refer fig 2.1). Every bearer ought to be isolated from the others by in any event the cognizance data transfer capacity $(\Delta f)c$ with the goal that distinctive duplicates of the flag experience autonomous blurring. This L freely faded duplicates are "ideally" joined at the recipient to develop the first flag. The ideal combiner is the most extreme proportion combiner, which will be presented later.

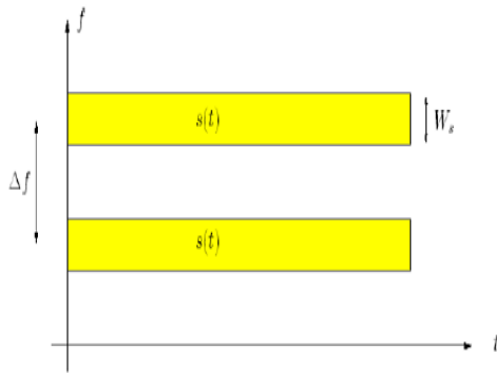


Fig 2.1: - Frequency Diversity

2.1.2 Time / Temporal diversity:

Another way to deal with accomplish diversity is to transmit the coveted flag in L distinctive timeframes, i.e., every image is transmitted L times (refer fig 2.2). The interims between transmission of a similar image ought to be in any event the rationality time $(\Delta T)c$. so extraordinary duplicates of a similar image experience autonomous fading.

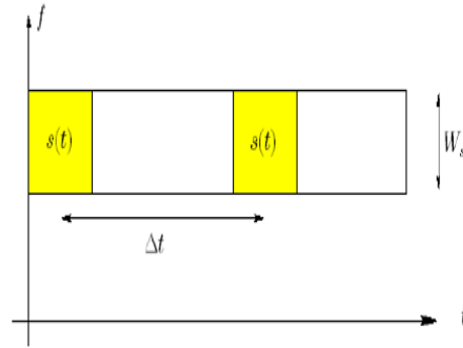


Fig 2.2: - Time Diversity

2.1.3 Spatial / Space diversity:

This diversity techniques utilizes numerous radio wires at the transmitting and Reception side (refer fig 2.3). So L reception apparatuses to get L duplicates of the transmitted flag. The radio wires ought to be dispersed sufficiently far separated with the goal that diverse got duplicates of the flag experience autonomous blurring. This is Different from frequency variety and temporal variety.

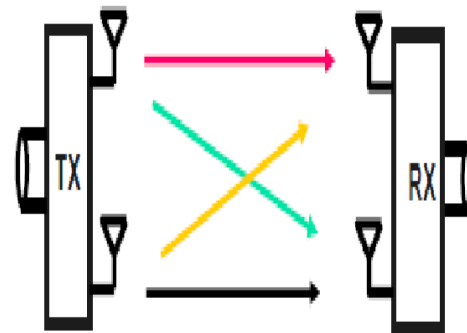


Fig. 2.3: - Spatial / Space Diversity

2.1.4 Polarization Diversity:

In polarization diversity, the electric and attractive fields of the flag conveying the data are changed and numerous such flags are utilized to send a similar data. Accordingly orthogonal sort of Polarization is gotten. This diversity framework needs various directional reception apparatuses those reacts autonomously to wave spread. A receiving wire reaction to a wave engenders at a particular point and gets a faded flag which is uncorrelated with different signs.

2.1.5 Antenna Diversity:

Antenna diversity is a prevalent and widely utilized procedure to enhance execution in remote correspondence frameworks. The method diminishes fast fading and inter channel interference impacts in the remote system framework. In a reception apparatus assorted variety framework, at least two antennas are utilized and settled in positions which will furnish uncorrelated signs with a similar power level. At that point the signs are joined and made an enhanced flag. The essential technique for antenna wire diversity is that the reception apparatuses encounters diverse sort of signs due to singular channel conditions and the signs are associated incompletely.

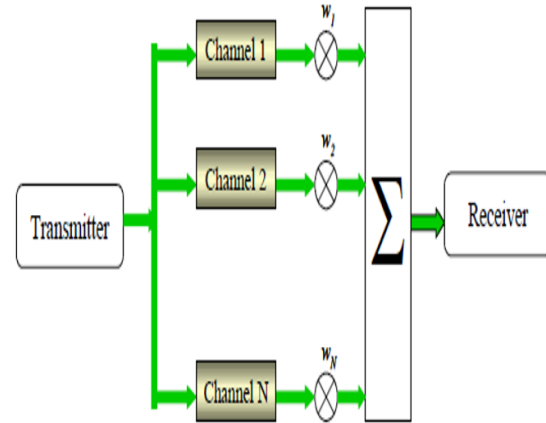


Fig 3.1: - Maximal-Ratio Combining (MRC)

III. DIVERSITY COMBINING TECHNIQUES

It is vital to combine the uncorrelated faded signs which were acquired from the diversity branches to get legitimate diversity advantage. The combining framework ought to be in such a way, to the point that enhances the execution of the correspondence framework like the flag to-commotion proportion (SNR) or the energy of got flag. Following are the different diversity combining strategies accessible.

1. Maximal ratio combining (MRC)
2. Equal gain combining (EGC)
3. Selection combining (SC)
4. Switched Combining (SWC)
5. Periodic Switching Method
6. Phase Sweeping Method

3.1 Maximal Ratio Combining (MRC):

In the MRC joining procedure needs summing circuits, weighting and co-staging. The signs from various diversity branches are co-staged and weighted before summing or consolidating.

The weights must be picked as relative to the separate signs level for boosting the consolidated carrier to noise ratio (CNR). The connected weighting to the diversity branches must be balanced by the SNR. For expanding the SNR and limiting the likelihood of mistake at the yield combiner, flag of d th diversity branch is weighted before making entirety with others by a factor, $c_d^*/\sigma_{2n,d}$. Here $\sigma_{2n,d}$ is noise change of diversity branch d th and c_d^* complex conjugate of channel pick up. Thus the stage shifts are repaid in the diversity channels and the signs originating from solid decent variety branches which has low level noise.

3.2 Equal-gain combining (EGC):

The EGC is like MRC with an exemption to exclude the weighting circuits. The execution change is smidgen bring down in EGC than MRC on the grounds that there is an opportunity to consolidate the signs with interference and noise, with the signs in top notch which are impedance and noise free. EGC's typical technique is lucidly joined the individual flag branch yet it non-intelligibly consolidate some noise parts as per following figure 3.2. MRC is the best diversity combining yet the plan requires extremely costly outline at beneficiary circuit to change the pickup in each branch.

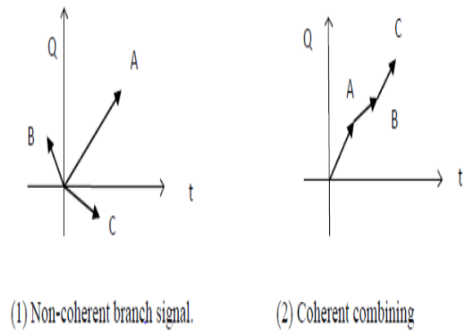


Fig. 3.2: - Equal Gain Combining

3.3 SELECTION COMBINING (SC):

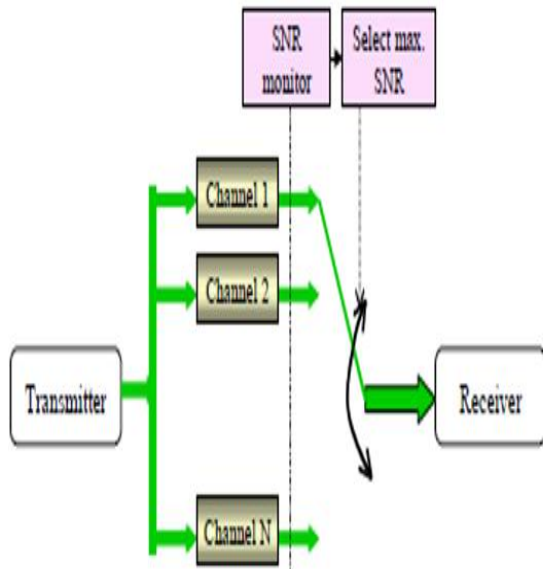


Fig. 3.3: - Selection Combining

The techniques MRC and EGC are not reasonable for high frequency (VHF), ultra high frequency (UHF) or versatile radio applications since acknowledgment of a co-staging circuit with exact and stable following execution isn't simple in an as often as possible changing, multipath fading and irregular stage condition. SC utilizes straightforward execution strategy and is more appropriate contrasting with MRC and EGC in versatile radio application (refer to fig 3.3).

3.4 Switched Combining (SWC):

It is unfeasible to screen the all diversity branches in determination consolidating. Furthermore, in the event that we need to screen the signs constantly then we require a similar number of beneficiaries and branches. Subsequently, the type of exchanged joining is utilized to execute choice consolidating. As indicated by the figure 3.4 (a), changing from branch to branch happens when the flag level falls under limit. The estimation of edge is settled under a little zone however the esteem isn't the best fundamentally finished the aggregate administration zone. Therefore the limit should be set much of the time as indicated by the development of vehicle fig 3.4 (b).

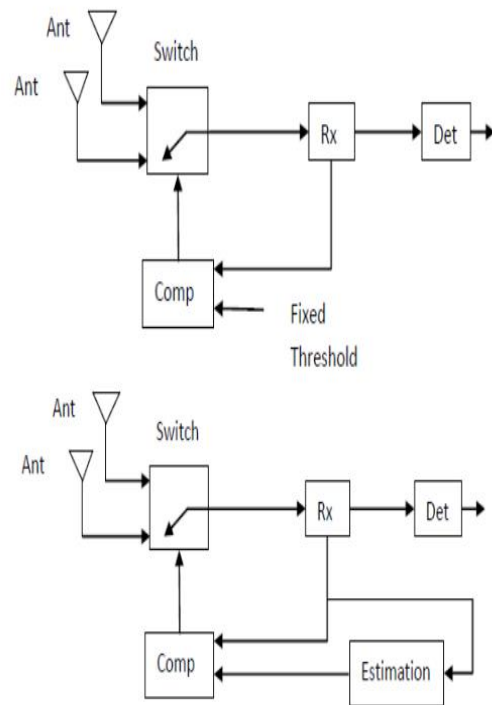


Fig. 3.4: - Switching combining methods with fixed threshold (a) and variable threshold (b)

3.5 Periodic Switching Method:

In a basic switching method, the diversity branches are chosen intermittently by a customary, free-running oscillator. This technique is valuable in similarly substantial deviational and low-speed recurrence balance frameworks which incorporates stage homeless people makes by exchanging can be reduced. The main selectable parameter exchanging

rate can be picked as double the stature of the bit rate of flag. Accordingly the flag of the better branch can choose per flagging period. So we can see a cover here which can be explained by rising selectivity of the modify channel at the receiver (refer to figure no. 3.5).

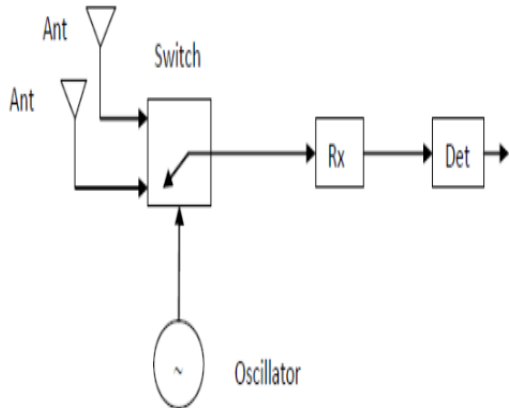


Fig. 3.5: - Periodic switching method

3.6 Phase Sweeping Method:

Phase Sweeping Method is another adaptation of exchanging technique which utilizes a solitary recipient. In stage clearing technique clearing rate is more than double the most astounding frequency of balance flag. The stage clearing technique is as like mode-averaging strategy where separated receiving wires are utilized with electrically examined directional examples (refer fig 3.6).

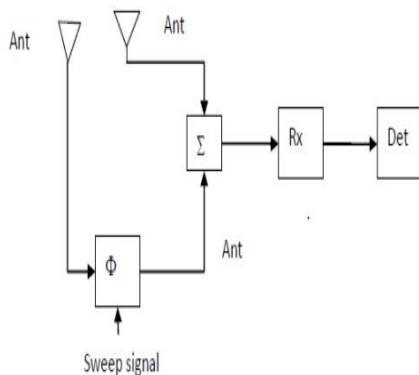


Fig. 3.6: - Phase Sweeping method

IV. CONCLUSION

The decent variety systems is utilized to give the recipient a few copies of the transmitted flag, used to conquer the blurring issue and to enhance the execution of the radio channel without expanding the transmitted power and enhances the SNR. Among the different decent variety strategies spatial assorted variety is best appropriate for the remote correspondence. Multi-input-multi-yield (MIMO) remote correspondence utilizes spatial assorted variety systems. Among the different Diversity Combining strategies: MRC beats the Selection Combining; Equal pick up consolidating (EGC) performs near the MRC. Not at all like the MRC, the gauge of the channel pick up isn't required in EGC.

REFERENCES

- [1] Siavash M. Alamouti. A Simple Transmit Diversity Technique for Wireless Communications. IEEE Journal on Select Areas in Communications, 16(8):1451–1458, October 1998.
- [2] MIMO: The next revolution in wireless data communications By Babak Daneshrad.
- [3] Bit Error Rate Performance of MIMO Channels for various Modulation Schemes using Maximum Likelihood Detection Technique, IP Multimedia Communications A Special Issue from IJCA.
- [4] Maximum-Likelihood Equalisation for STBC-MIMO on Test-Bed ,AshuTaneja Assistant Professor, Department of Electronics & Communication Engineering Chitkara University, Baddi. International Journal of Computer App (0975 – 8887) Volume 46– No.22, May 2012.
- [5] G. J. Foschini and M. J. Gans, “On limits of wireless communications in a fading environment when using multiple antennas,” Wireless Pers. Commun., vol. 6, pp. 311–335, Mar. 1998.