

Proposed Model for SMS Poll Counting System for Multimedia (TV) Shows

SHRAVAN KUMAR

Assistant Professor, Guru Nanak Dev Engineering College, Bidar

Abstract- In fame based social requests, throwing a voting form is a critical instrument to assemble and re-act people's emotions. For the most part, throwing a voting form is coordinated by TV shows.

The votes are then checked normally once the stop button is crushed in the test throwing a voting form time is finished. With the quick improvement of PC advancement and cryptographic procedures, electronic vote based structures can be used that supersede the event or more all goof slanted human Component. To grow the efficiency and accuracy of throwing a polling form systems, throwing a voting form structures were made to help assembling and counting the votes.

The term e-throwing a polling form is described as any majority rule procedure where the voter's point is conveyed or accumulated by electronic strategies. E-Voting has been proceeded starting late in specific shows, nations and regions. In an e-throwing a voting form by contact screen, a voter authentically picks up-and-comers or the vote content appeared on a screen as the finger. For a grouping of reasons voters may be not capable go to throwing a voting form physically yet need to cast a voting form remotely, for example from home or while journeying abroad. Subsequently, there is unprecedented enthusiasm for remote popularity based techniques that are basic direct or more all ensured.

Indexed Terms- TV Shows, SMS poll, IoT

I. INTRODUCTION

GSM modem gives the correspondence interface. It transports contraption shows clearly over the framework through a consecutive interface. A GSM modem is a remote modem that works with a GSM remote framework. This GSM Modem can recognize

any GSM orchestrate executive SIM card and act basically like a mobile phone with its own one of a kind stand-out phone number. Bit of space of using this modem will be that you can use its RS232 port to confer and make applications. Applications like SMS Control, data move, remote control and logging can be developed adequately. The modem can either be related with PC consecutive port genuinely or to any microcontroller. This errand is proposed to show the eventual outcomes of TV show competitions between the contenders. At the point when all is said in done, we may have seen various TV shows like singing and moving competitions, etc., in those TV shows the contenders demands that group overview them through messages reliant on their introduction. Here we plan a near system which recognizes overviews from different compact numbers, and confined to their different hopefuls. The system also contains a start/stop button crushing which we can start/deactivate the studying session. After the studying is done, the controller checks the no of studies for each competitor and introductions them on to a 16x2 LCD interface to the controller.

This assignment uses controlled 5V, 500mA power supply. 7805 three terminal voltage controller is used for voltage rule. Augmentation type full wave rectifier is used to address the forced air system yield of discretionary of 230/12V development down transformer.

II. LITERATURE SURVEY

An E-throwing a polling form, Electronic law based structures, generally called Personal Response Systems (PRS), Audience Response Systems (ARS) or study corridor correspondence structures (CCS) use handsets as transmitter if the individual is inside the extent of beneficiary or uses GSM Mobile Equipment (ME) to reply from wherever. To restrain the drawbacks of nonexclusive e-throwing a voting

form, we propose a system wherein a voter, who has remote revelation gave early, uses its own one of a kind GSM Mobile phone without an excellent enlistment for a vote. In this paper, a studying plan using GSM compact advancement is despised as most basic utilization of GSM based Personal Response System, which empowers a voter to settle on his decision in direct and accommodating way without the most remote purpose of time and region. [1] By fusing an electronic vote based arrangement with the GSM establishment.

E-throwing a polling form system gives biometric security and is used for government choices. Recasting and focus individual just is extraordinarily irreversible. Reliably, the grasped customers are picked and checked. E-throwing a voting form structure has pushed toward persuading the chance to be checked at any rate not all people can cast a polling form in corners. By bits of information, around 75% of the comprehensive network essentially study their votes, remaining individuals are not set up to cast a polling form. Here Fingerprints of the grasped customers are enrolled and checked to offer access to an office that is used by different customers. A customer can in like manner be cleared and another customer can be picked in the structure. Here the joined control structure from where we can control who can go into in which room and who can't are perceived. The accepting is to make same one of a kind imprint application for throwing a voting form structure instead of customary door locking system. Both RFID and one of a kind finger impression are used for customer affirmation and select clarification. The comprehensive network vote is drilled and after that the vote is selected. By then the picked vote is customarily vivified securely in site through IOT. This strategy is done by a microcontroller. By using this application, results are represented at a similar time of the Election. It is a strong framework for the comprehensive network remaining outside. [2]

This shows the structure of a GSM based electronic majority rule machine with voter following. The structure displayed here seeks after a GSM based approach to manage send the looking over outcomes to a base station by methods for flexible framework. Infrared sensors have been used for following the

information as for the voters. After the majority rule technique has been done, the results are sent to the base station for various examinations and announcing the choice. This system is progressively checked and chances of modifying the results are diminished. The multiplication of the system is done on Proteus Professional Software v8.0 [3]. The arrangement displayed in this paper is progressively checked and appropriate according to current essentials.

III. PROPOSED SYSTEM

A GSM modem gives the correspondence interface. It transports device shows clearly over the framework through a successive interface. A GSM modem is a remote modem that works with a GSM remote framework. This GSM Modem can recognize any GSM compose executive SIM card and act essentially like a phone with its own remarkable phone number. Favored situation of using this modem will be that you can use its RS232 port to pass on and make applications. Applications like SMS Control, data move, remote control and logging can be developed viably. The modem can either be related with PC consecutive port genuinely or to any microcontroller. This endeavor is expected to show the results of TV show competitions between the contenders. At the point when all is said in done, we may have seen various TV shows like singing and moving contentions, etc., in those TV shows the contenders demands that group overview them through messages subject to their display. Here we structure a practically identical system which recognizes reviews from different adaptable numbers, and detached to their different competitors. The structure furthermore involves a start/stop button pressing which we can incite/deactivate the looking over session. After the studying is done, the controller checks the no of studies for each contender and introductions them on to a 16x2 LCD interface to the controller.

This endeavor uses oversaw 5V, 500mA power supply. 7805 three terminal voltage controller is used for voltage rule. Framework type full wave rectifier is used to correct the climate control system yield of discretionary of 230/12V development down transformer.

In reasonable social requests, throwing a polling form is a critical instrument to accumulate and re-act people's appraisals. By and large, throwing a polling form is driven by arrange programs.

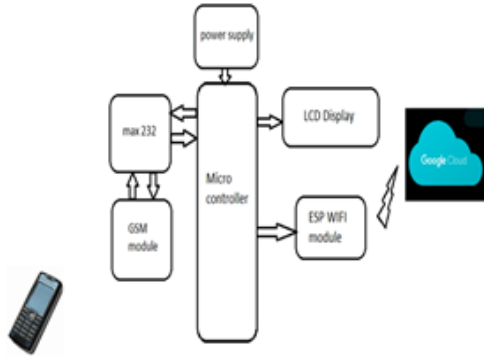


Fig 1:- Implementation Methodology

IV. RESULTS AND DISCUSSION

The GSM Receiver Module, which gets cast a voting form from each voter to the extent SMS. Each voter has novel ID, like a voter id that perceive the voter's character. Political choice board gives flexible id. The voter who uses convenient can station their votes through GSM. Therefore the information of candidates are predefined to voter's modem has have number that is known to every voter. Exactly when voter position their choices on the Election Day, therefore voter establish a connection on GSM, which contains voter's convenient id and the up-and-comer's id which he needs to cast a polling form. GSM modem will get the votes, which is beginning from voters' adaptable rigging (ME).

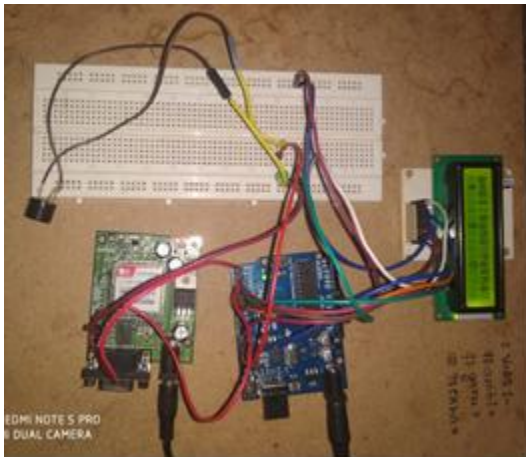


Fig2:- GSM Interfacing

The threw a voting form messages will send online through Wi-Fi module using thing speak. The messages are sent as basic. In this endeavour the voters will send the messages and it shows the data online it stores the data in the cloud.

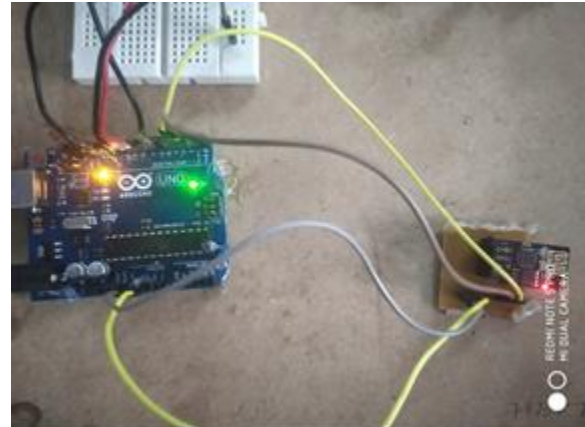


Fig 3:Thing speak using Wi-Fi

CONCLUSION

Proposed system is reliable as voter can station the vote essentially after approval of UID number and versatile number. The structure is versatile as voter can situate the vote from wherever. The system is snappy than standard papered throwing a voting form structure considering the way that the heaviness of vote counting is discarded. The vote counting is done at the time the voter settle on the decision by microcontroller. Regardless, in light of security reasons the result will be appeared after finish of throwing a voting form period.

REFERENCES

- [1] X. Y. Cerone and P. Y. Zhang, | Secure Electronic Voting for Mobile Communications, | Vehicular Technology Conference, 2006. VTC 2006-Spring. IEEE 63rd, Vol. 2, 2006, page(s):836 – 840.
- [2] E- Voting Application in GSM Module using IOT, ISO 9001:2008 Certified Journal, D.Lakshmi, K.Bhagya Lakshmi, G.Anjali and V.Hamsadwani.
- [3] E-VOTING SYSTEM USING MOBILE SMS (Dinesh R.Gawade, Amardeep A.Shirodkar and

Sagar R.Patil): International Journal of Research in Engineering and Technology 09|September-2015.

- [4] Design of a GSM Based Electronic Voting Machine with Voter Tracking Vaibhav Bhatial and Rahul Gupta Submitted in 1-April-2014; Accepted in December, 2015.
- [5] Secure Mobile Based E-Voting System Haijun Pan, Edwin Hou, and Nirwan Ansari, "E-NOTE: An E voting System That Ensures Voter Confidentiality and Voting Accuracy", IEEE (ICC) June 2012
- [6] A Secure Smartphone Based Voting System with Modified EVM Using Elliptic Curve Cryptography Dhiraj P. Girase International Journal of Electronics and Communication Engineering. ISSN 0974-2166 Volume 8, Number 1 (2015), pp. 91-98 © International Research Publication House
- [7] Secure Mobile Based Voting System Manish Kumar, T.V.Suresh Kumar, M. Hanumanthappa, D Evangelin Geetha.
- [8] Mobile Voting using Global System for Mobile Communication (GSM) Technology and Authentication using Fingerprinting Biometrics and Wireless Networks Sneha Pallav, S. Dhanalakshmi & S. Aiswarya .