

Smart City Using IOT

SHIVRAJ BOBADE¹, NIKHIL SHETE², MANDAR CHOUGULE³, RAJESHRI ANEESH⁴

^{1, 2, 3} Department of Computer Engineering, Pillai HOC College of Engineering and Technology, Rasayani, Maharashtra, India

⁴ Professor, Department of Computer Engineering, Pillai HOC College of Engineering and Technology, Rasayani, Maharashtra, India

Abstract- *The key readying of web of Things (IOT) is permitting sensible town comes and initiatives everywhere the planet. The IOT is a simple thanks to merge numerous sensors with all the ICT solutions. With over fifty billion objects are connected and placed in sensible cities in 2020. The centre of wise cities operations is that the IOT communications. This paper is presenting a comprehensive review of the ideas of IOT and wise cities and their motivations and applications. Moreover, this paper describes the foremost challenges and weaknesses of applying the IOT technologies supported wise city paradigms. The IOT and everybody connected information technology employs the online to consolidate various devices with each other. During this regard additionally to facilitate the friendliness, all offered devices ought to be connected to the web. The most purpose of our project is to use the sensors which is able to start the lights solely within the space wherever person is active or motion is detected, referred to as sensible home and building. In our sensible street lightweight system we have a tendency to area unit exploitation star panels for generating electricity. We have a tendency to additionally embrace sensible watering system for road facet plants, environmental pollution closed-circuit television.*

Indexed Terms- *Internet of Things (IOT), Smart City, Communication Technologies.*

I. INTRODUCTION

Internet has become associate degree inevitable a part of urban life. Exploitation web was a giant deal twenty years before however nowadays even a toddler will use smartphones and laptops simply. Quality of 3G, 4G technologies, their reasonable rates and easy their use ultimately have resulted in sizable amount of web users nowadays. As web is employed for interaction

with different users, through varied platforms like Facebook, twitter, mails and what not, we tend to stumble upon the idea known as web of Things. The term itself is obvious There square measure completely different suggests that by that varied electronic instruments will communicate with one another. This may be used for sample of applications. Eventually good implementation of such system which might communicate with each other one associate degree other is wont to produce an economical, error free system because of human interactions. There square measure limitations to the extent up to that a person will work on the opposite hand with correct maintenance and handling of machines, there's on paper no limit on the productivity of a machine. It's calculable that there'll be around twenty.5 billion devices connected to web by the tip of 2017.

The principle of web of things is applied in aid, industry, education therefore on and then forth. IoT applications square measure varied and delivered too many areas and domains for example: home automation, aid via mobile, producing automation, older help, medical aids, automotive, good grids and intelligent energy management, traffic management, etc. The IoT structure is subject to good and Self-configuring objects that square measure combined into a universal network foundation. That may provide associate degree addition to new opportunities for the knowledge and Communication Technologies (ICT) sector, covering the thanks to completely different Services and applications able to leverage the interconnection of physical and virtual domains. IoT is outlined as 'Objects having virtual personalities and identifications in good areas using intelligent interfaces to attach and communicate at intervals medical, social, environmental and user's context. The influence of the IoT on the lifetime of users is thought-about as its key feature.

II. LITERATURE SURVEY

Sr No	Author	Paper Name	Observation
(1)	Husam Rajab, Tibor Cinkelr	IoT based Smart Cities-2018	This project has some flaws which are covered in our project such as smart parking, street light
(2)	Himadri Nath Saha ¹ , Supratim Auddy ¹	IoT Solutions for Smart Cities	This project has automated water supply, automated traffic management, In our Project we will manage the traffic by allotting parking space
(3)	Prof. Rahul Wantmure and Dr. Murlidhar Dhanawade	IoT based Smart Cities-2016	Concept of Smart City has suggested in a planned city, with such impact that each activity carried out in the city is supervised and controlled by technology.
(4)	Mr. Kyusoo Chong and Hongki Sung	IoT Solutions for Smart Cities-2015	This study examines actual cases of road management systems and technologies of road safety Analysis in Korea and other countries.
(5)	Kaoutar Ben Ahmed	IoT Solutions for Smart Cities-2014	Provides an overview of the topic that points to its current status and forecast of the crucial functions that will play in the future & defines analysis of big data into smart cities
(6)	M. Jaradata	IoT Solutions for Smart Cities-2015	Authors have discussed about smart Sensor networks which provide multiple opportunities for smart grid applications, including energy monitoring, energy Demand management, coordination of distributed Storage

III. EXISTING SYSTEM

The existing system contains the following things like:

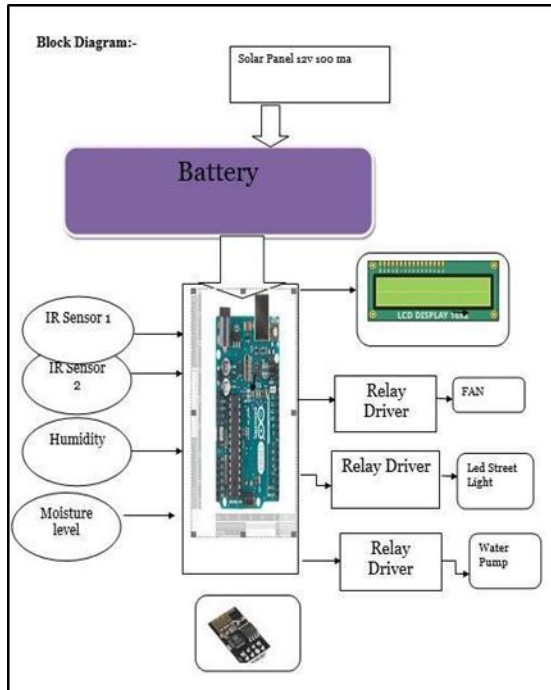
- Road Traffic: - Good traffic solutions use differing types of sensors, likewise as fetch GPS information

from drivers' good phones to see the quantity, location and also the speed of vehicles.

- Smart meters & billing: - Good connected meters will send information on to a utility over a medium network, providing it with reliable meter readings.

- Remote monitoring: - These services permit voters to use their good meters to trace and management their usage remotely.
- Waste management: - IoT-enabled good town solutions facilitate to optimize waste assembling schedules by trailing waste levels.

IV. PROPOSED SYSTEM



- Arduino Uno: An Arduino board traditionally consists of Associate in Nursing Atmel 8-, 16-or 32-bit AVR microcontroller with complementary elements that facilitate programming and incorporation into different circuits. A vital side of the Arduino is its customary connectors that let users connect the board to a range of interchangeable add-on modules termed shields. Some shields communicate with the Arduino board directly over varied pins, however several shields square measure individually one by one on Associate in Nursing individual basis available via an I²C serial bus—so several shields may be stacked and utilized in parallel. It provides fourteen digital I/O pins, six of which might turn out pulse dimension modulated signals, and 6 analog inputs, which might even be used as six digital I/O pins.



Fig. Arduino Uno

- Infrared Sensor Module: Infrared sensor Module associate infrared sensor is Associate in nursing device that emits therefore on sense some aspects of the atmosphere. Associate in Nursing IR sensor can live the heat of Associate in nursing object what is more as detects the motion. The radiations square measure invisible to our eyes, which can be detected by Associate in nursing infrared sensor. The conductor is exclusively associate in Nursing IR semiconductor diode (Light Emitting Diode) and thus the detector is exclusively associate in Nursing IR photodiode that's sensitive to IR light-weight of identical wavelength as that emitted by the IR semiconductor diode. The foremost space unites area unit sensing and remote controls. At intervals the spectrum, the infrared portion is split into three regions: getting ready to infrared region, middle infrared region and far infrared region. The frequency vary of infrared is higher than microwave and lesser than lightweight. For optical sensing and optical communication, image optics technologies square measure used within the getting ready to infrared region as a result of the light-weight may be a smaller quantity sophisticated than RF once implemented as a provider of signal. Optical wireless communication is completed with IR data transmission for temporary vary applications.

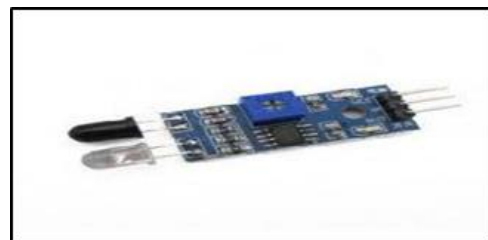


Fig: Infrared Sensor Module

- HUMIDITY SENSOR HSY220

Module condition sensor HSY220 the condition sensor HIH4000/HSY220, factory-made by Honeywell is utilized for sensing the condition. It delivers instrumentation quality RH (Relative Humidity) sensing performance in associate passing low worth, solder prepared SIP (Single In-line Package). Quantitative relation may be a live, in share, of the vapor at intervals the air compared to the full amount of vapor which may be management at intervals the air at a given temperature.



Fig: Humidity Sensor

- SOIL MOISTURE SENSOR

Soil wet sensors live the water content in soil. A soil wet probe is created of multiple soil wet sensors. This Soil wet device is wont to notice the wet of soil or choose if there's water round the device, let the plants in your garden reach out for human facilitate. Insert this module into the soil then alter the on-board potentiometer to regulate the sensitivity. The device would outputs logic HIGH/LOW once the wet is higher/lower than the edge set by the potentiometer. With facilitate of this device, it'll be realizable to create the plant inform you: Hey, I'm thirsty currently, please provide American state some water.

- APPLICATION

- i. Botanical gardening.
- ii. Water monitoring.

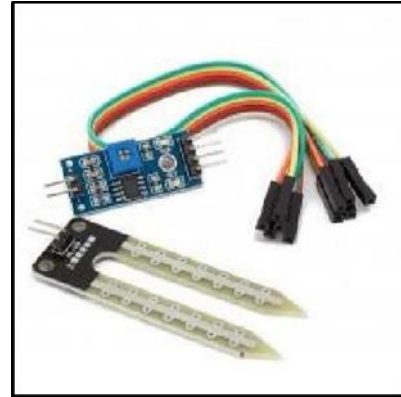


Fig: Soil Moisture Sensor

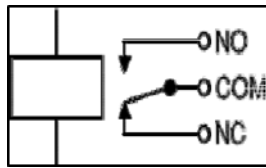
- Liquid Crystal Display (LCD)

Liquid Crystal display screen monitor visual show unit computer screen video display is associate electronic display module and notice a good vary of applications. A 16x2 LCD liquid crystal show LCD digital display alphanumeric display is incredibly basic module and is incredibly usually employed in numerous devices and circuits. These modules area unit most popular over seven phases and alternative multi segment LEDs. The explanations being: LCDs area unit economical; simply programmable; don't have any limitation of displaying special & even custom characters (unlike in seven segments), animations and then on. A sixteenx2 LCD liquid crystal show LCD digital display alphanumeric display. A 16x2 semiconductor diode liquid show alphanumeric display implies that it'll display 16 characters per line and there are a unit a unit a combine of such lines. Throughout this liquid show each character is displayed in 5x7 element matrix. This liquid show has two registers, namely, Command and data. The command register stores the command directions given to the liquid show. A command is Associate in Nursing instruction given to liquid show to undertake and do a predefined task like initializing it, clearing its screen, setting the pointer position, dominant show etc. the data register stores the data to be showed on the liquid display. The data is that the code value of the character to be showed on the liquid display.

- RELAY with driver

A relay is degree electrically operated switch. Many relays use degree magnet to regulate a modification mechanism mechanically, but completely different operative principles area unit used. Relays area unit

used where it's a necessity management to regulate a circuit by a low-power signal (with complete electrical isolation between control and controlled circuits), or where several circuits ought to be controlled by one signal.



• **ESP MODULE:**

Each ESP8266 module comes pre-programmed with associate degree AT command set code, meaning, you will be ready to simply hook this up to your Arduino device associate degree acquire regarding the most quantity Wi-Fi-ability as a Wi-Fi shield offers (and that's merely out of the box)! The ESP8266 module is a particularly worth effective board with an oversized, and ever growing, community. This module options a strong enough on-board method and storage capability that allows it to be integrated with the sensors and totally different application specific devices through its GPIOs with token development up-front and token loading throughout runtime. Its high degree of on-chip integration permits for token external equipment, in addition because the front-end module, is supposed to occupy token PCB house. The ESP8266 supports APSD for VoIP applications and Bluetooth co-existence interfaces; it contains a self-calibrated RF allowing it to work below dead operation conditions, and desires no external RF component.

V. METHOLODOGY

• **Working:**

As shown on top of electrical device (15V/1A) is employed to down convert the AC up to 15V. Four diodes (IN4007) are connected to secondary of electrical device in bridge for Rectifying AC into DC. Electrical condenser one thousand uf & 1uf are used

as a filter red light-emitting diode shows that Rectification and filtering is ok. 7812 IC is employed as a 12V Regulator it converts 15V into regulated +12V DC YELLOW Light-emitting diode shows that output of 7812 is ok. 7805 IC Is employed as a 5V regulator it converts 12V into regulated +5V DC inexperienced light-emitting diode shows that output 7805 is ok.

CONCLUSIONS

The main purpose of the great Cities is to drive process and improve the quality of time period of parents by sanctioning native house development and harnessing technology, notably technology that winds up in sensible outcomes. From Rural Areas to urban areas, modernization has been associate degree integral a locality of shaping the life-style of the oldsters. It's urged by coalition report on sensible cities that by 2040, the world will have to be compelled to be compelled to provide 10,000 new cities. China is already inside the strategy of building 100 new cities which may accommodate the 385 million of us which may facilitate every national and make their life easier

REFERENCES

- [1] L. Atzori, A. Iera, and G. Morabito, "The Internet of things: a survey," *Computer Networks*, vol. 54, no. 15, pp. 2787-2805, 2010.
- [2] Kaivan Karimi and Gary Atkinson, —What the Internet of Things (IoT) Needs to Become a Realityl, White Paper, FreeScale and ARM, 2013.
- [3] T. Taleb and A. Kunz, "Machine Type Communications in 3GPP Networks: Potential, Challenges, and Solutions," to appear, *IEEE Commun. Mag*
- [4] J. Jin, J. Gubbi, S. Marusic and M. Palaniswami, "An Information Framework for Creating Smart City Through Internet of Things," in *IEEE Internet of Things Journal*, vol. 1, no. 2, pp. 112-121, April 2014.
- [5] F. Zhu, Z. Li, S. Chen and G. Xiong, "Parallel Transportation Management and Control System and Its Applications in Building Smart Cities," in *IEEE Transaction on Intelligent Transportation Systems*, vol. 17, no. 6, pp. 1576-1585, June 2016