

Solar Powered Auto Irrigation System

MADHUSHREE¹, HEENA SANAWAR², MADHAVI REDDY³, NAMRATHA⁴

^{1, 2, 3} Student, Department of Electronics and Communication Engineering, GNDEC, Bidar

⁴ Assistant Professor, Department of Electronics and Communication Engineering, GNDEC, Bidar

Abstract- This endeavor presents Smart Solar Irrigation System that avoids the drawbacks and limitations of existing standard water framework structures, essentially non-uniform scattering of water to all yield and eating up futile proportions of water and force. This is proposed to be both water and force capable, while being constrained by solar panels to make it eco-obliging. Dependent upon atmosphere conditions, a decision will be made as for the need to flood the soil. water siphon is used to siphon the water into the soil reliant on the soil dampness regards

Indexed Terms- Soil Moisture Sensor, Solar Panel, Irrigation, IOT

I. INTRODUCTION

Agriculture Sector is the significant wellspring of pay for the economy of a country and 70% of farmers and everyday citizens rely upon the Agriculture. Fake use of water to the soil for helping with developing yields is known as Irrigation. For agriculture profitability process it is basic information and critical in farming, social and monetary development of the country.

At the current period, the farmers have been utilizing water system method in India through the manual control in which the farmers flood the land at the ordinary spans. The worldwide water system situation, in any case, is portrayed by terrible showing, expanded interest for higher rural profitability, diminished accessibility of water for agriculture, expanding soil saltiness and potential impacts of an unnatural weather change and environmental change [1]. WSN has the capacity of correspondence, calculation and detecting. An extension between the genuine physical world and virtual universes can be furnished with WSN. It has a wide scope of utilizations in home mechanization, common foundation, science, security and agriculture [2]. The financial commitment of agriculture to India's GDP is consistently declining with the nation's wide

based monetary development. In any case, agriculture is demographically the broadest financial part and assumes a noteworthy job in the general financial texture of India [3]. A mechanized water system framework was created to advance water use for farming yields. The framework has a circulated remote system of soil-dampness and temperature sensors set in the root zone of the plants. What's more, an entryway unit handles sensor data, triggers actuators, and transmits information to a web application [4]. Sustainable power source controlled water system pumps are picking up significance as water system adds to significant burden on the regular lattice. DC pumps are legitimately taken care of from SPV/Wind or by mixture frameworks. On other hand AC pumps require converter and storeroom. The financial investigation of the sustainable power source fueled AC and DC pumps dependent on accessible breeze sunlight based likely assists with recognizing the better choice.

II. LITERATURE REVIEW

In [1] the key objective of this paper is to give a sunlight based controlled microcontroller based automated water framework structure. The use of moisture sensor, humidity sensor and water level sensor all together gives the signs to microcontroller which further sends the distinctive statuses as read by the sensors to customer mobile through GSM. The farmer (customer) can control all water framework exercises through his android mobile gadget.

In [2] is to develop a customized solar powered controlled drip irrigation structure by grasping Wireless Sensor Network Technology (WSNT) by organizing Solar Photovoltaic System (SPV), Arduino Microcontroller, Soil Moisture Sensor, Mobile Bluetooth, Water Tank, Pump, etc. WSNT used in this work contributes not solely to save essentialness, water, fertilizers yet what's more assurance uniform watering at right time without manual mediation

provoking improve the quality and measure of horticultural yields.

In [3] portrays that Indian farmers are defying a colossal issue in view of perpetual power disappointments. Solar Powered Automatic Irrigation System can be a proper alternative for farmers in the current circumstance with vitality crisis. This paper proposes an Automatic Smart Irrigation System which utilizes solar force for water framework. Solar powered water pump works therefore reliant on different soil limits like Moisture and Temperature.

In [4] gives modified water framework system reliant on ARMs and RF module. The most huge factor of this system is RF module which is used to send and accepting the message to the controller. This system used three centers which pass on each other and inundate paddy field consequently. The purpose of our errand is to modernizing horticulture innovation by programming parts and developed the imperative portion for the system.

In [5] depicts observational assessment on customary farmer guaranteed and oversight irrigation plans have shown that these frameworks can guarantee an effective water portion and that they bolster the irrigation foundation. In some large-scale public irrigation frameworks, water-client associations contribute towards action and upkeep activities, and agents have yielded that they emphatically influence execution.

III. WORKING

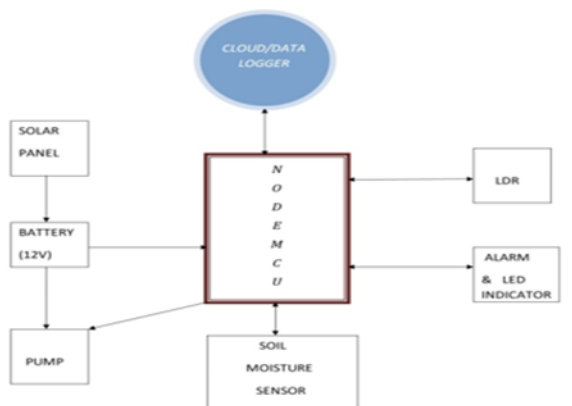


Fig: Block diagram

Solar panel is used to generate electricity. Solar panel absorbs the sunlight and converts photons into electrons. This electrons will generate an electricity which is stored in battery. We will prefer solar panel of 50 Watt 12V. This stored energy is connected to 3 loads. The 3 loads are microcontroller, water pump and solid state devices. The solid state devices here used are LED, LDR and soil moisture sensor.

A. NODE MCU

NodeMCU is the microcontroller which likewise goes about as Wi-Fi module that sends sensor information to the cloud by going about as a passage. The fundamental reason for utilizing NodeMCU is it devours less intensity of 3.3v and it is less expense than other micro controllers/processors like Arduino and Raspberry pi.

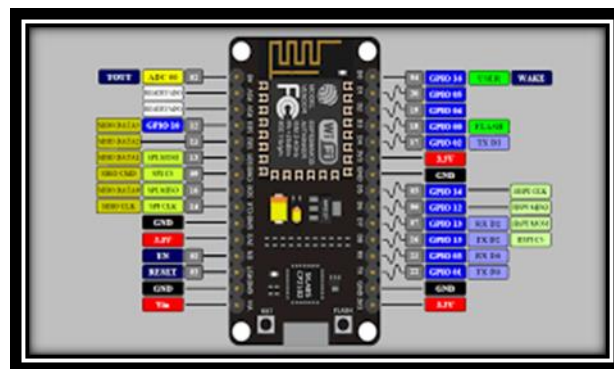


Fig: Node MCU

B. SOIL MOISTURE SENSOR

The soil moisture sensor in water system field is utilized to gauge the soddenness content in the soil and in the event that the sogginess content is not exactly the limit esteem, at that point NodeMCU will impart the control sign to the Relay and will turn on the motor that turns over watering the plants.

The yield field will be checked consistently by the NodeMCU and on the off chance that the sogginess content gets over the edge esteem, at that point the motor goes to off state and quits watering the plants. The information is sent to the cloud and can be observed through portable application, this is useful in robotized water system.

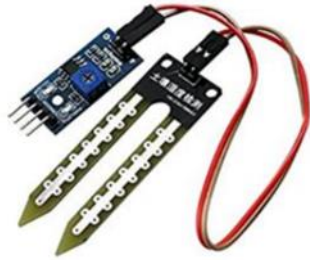


Fig: Soil Moisture sensor

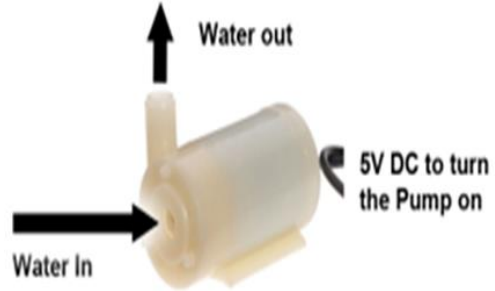


Fig: Water pump

C. SOLAR PANEL

The term solar panel is utilized conversationally for a photo-voltaic (PV) module.

A PV module is a gathering of photo-voltaic cells mounted in a system for establishment. Photo-voltaic cells use daylight as a wellspring of vitality and produce direct flow power. An assortment of PV modules is known as a PV Panel, and an arrangement of Panels is an Array.

Varieties of a photovoltaic framework flexibly solar power to electrical hardware. Solar vitality can cut a ranch's power and warming bills. Sun based warmth finders can be used to dry yields and warm homes, trained creatures structures, and nurseries.



Fig: Solar panel

D. 5V WATER PUMP

A submersible pump pushes water to the surface by changing over rotational vitality into dynamic vitality into pressure vitality. This is finished by the water being maneuvered into the pump, first in the admission, where the revolution of the impeller pushes the water through the diffuser.

From that point, it goes to the surface.

E. 12V BATTERY

A battery could be a device containing at least one electrochemical cells with outside relationship for driving electrical contraptions, for example, spotlights, mobile phones, and electric vehicles. At the purpose when A battery is providing electric force, its positive terminal is that the cathode and its negative terminal is that the anode.

F. ALARM

The water alert identifier is an autonomous electronic contraption that sounds a ready when its sensor is in contact.

G. LED indicator

A light-emitting diode (LED) is a semiconductor light source that produces light when current moves through it. Electrons in the semiconductor recombine with electron openings, discharging vitality as photons.

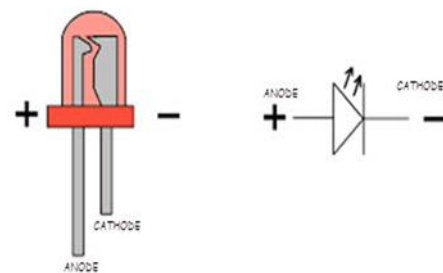


Fig: LED Indicator

H. LDR

A photoresistor (acronymed LDR for Light Decreasing Resistance) is an inactive part that diminishes obstruction as for getting glow (light) on the segment's delicate surface.

The obstruction of a photoresistor diminishes with increment in occurrence light power.

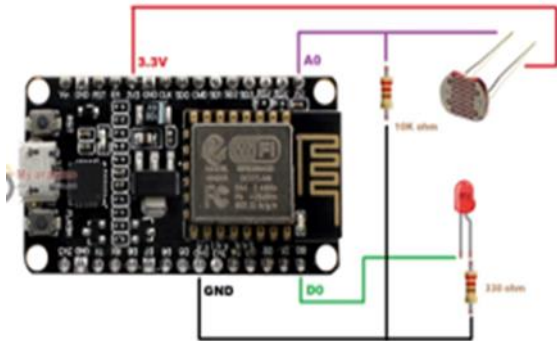


Fig: LDR

I. ARDUINO SOFTWARE

The Arduino Software (IDE) contains a text supervisor for making code, message an area, text console, toolbar with gets for fundamental limits and a movement of menus. It partners with the Arduino and Genuino hardware to move programs and talk with them.

J. BLYNK APP

Blynk was intended for the Internet of Things. It can control equipment remotely, it can show sensor information, it can store information, visualize it and do numerous other cool things.

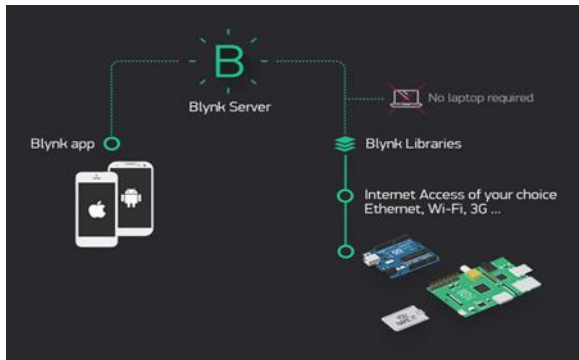


Fig.8 BLYNK APP

IV. RESULTS

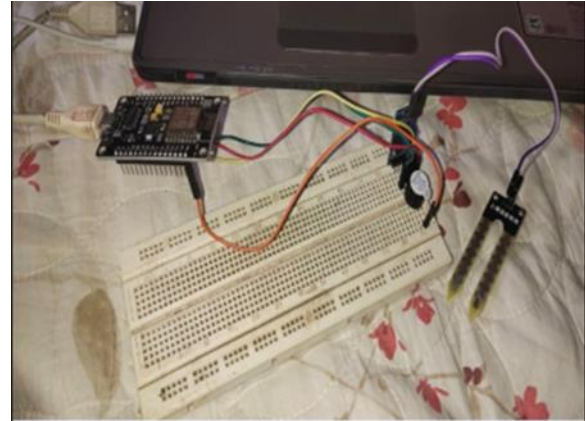


Fig: Practical model

Soil dampness sensor will check the dampness substance of the soil according to the harvest which is to be developed. At the point when the dampness level of the soil goes above or underneath the set worth, it will coordinate the NodeMCU whether it should pump the water or not. The yield message on blynk application will be the soil dampness worth and status of the lux is whether on or off.



Fig: output on blynk app

V. CONCLUSION AND FUTURISTIC SCOPE

In this venture we have viably completed Solar Powered Auto Irrigation System over IOT by usage of NodeMCU and Blynk application controlled with sun based. This application enables front line viable water utilization strategy and improves the gainful field of

agriculture items, horticulture items, aquaculture, water supply the executives.

In future we can incorporate of specific sensors like smoke sensor would incorporate an additional favorable position with the ultimate objective that if fire is exploded in the field, the water pump consequently pumps out the water to diminish the fire. The yield can be sent as a sms to the end customer using IFTTT.

REFERENCES

- [1] Suresh, S.Gopinath, K.Govindaraju, T.Devika, N.Suthanthira Vanitha, “GSM based Automated Irrigation Control using Raingun Irrigation System”, International Journal of Advanced Research in Computer and Communication Engineering, Volume 3, Issue 2, February 2014
- [2] S. Reshma and B.A. Sarath Manohar Babu, “Internet of Things (IOT) based Automated Irrigation System Using Wireless Sensor Network”, International Journal & Magazine of Engineering, Technology, Management and Research, ISSN No. 2348-4845, Vol. No. 3 (2016), Issue NO.9 (September), Pages 562-566.
- [3] Satya prasanth yalla, KV rajesh kumar, energy management in an automated solar powered irrigation system, Information Communication and Embedded Systems (ICICES), 2013 IEEE International Conference, Date of Conference: 21-22 Feb. 2013.
- [4] Joaquín Gutiérrez, Juan Francisco Villa-Medina, Alejandra NietoGaribay, and Miguel Ángel Porta-Gándara “Automated Irrigation System Using a Wireless Sensor Network and GPRS Module” IEEE 2013.
- [5] Basanagouda F. RonadSuresh H. Jangamshetti, Optimal cost analysis of wind-solar hybrid system powered AC and DC irrigation pumps. Renewable Energy Research and Application (ICRERA), 2015 International Conference on, 22-25 Nov.2015.